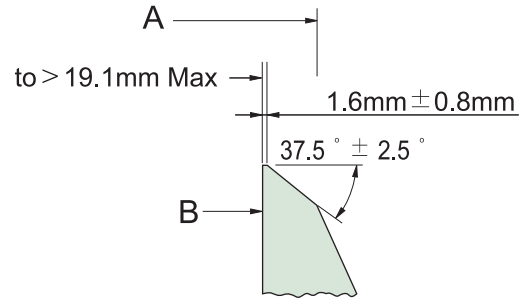
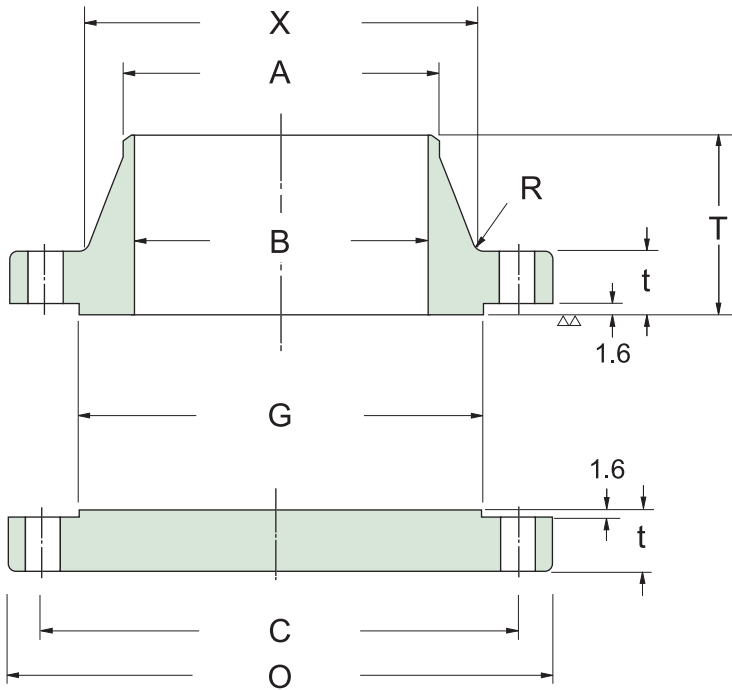




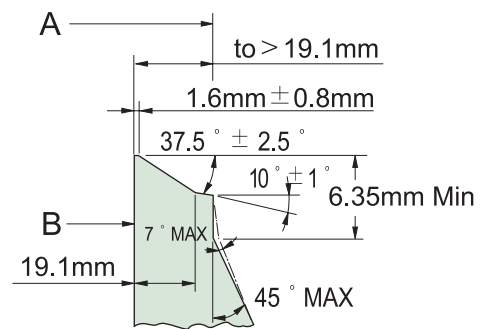
ANSI/ASME B16.47 SERIES B FLANGES(API 605)

- **Class 75 Flanges**
- **Class 150 Flanges**
- **Class 300 Flanges**
- **Class 400 Flanges**
- **Class 600 Flanges**
- **Class 900 Flanges**

CLASS 75 FLANGES



BEVEL FOR WALL THICKNESSES(t)
0.191 IN. TO 0.88 IN. INCLUSIVE



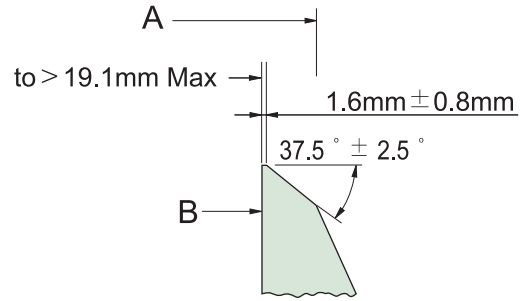
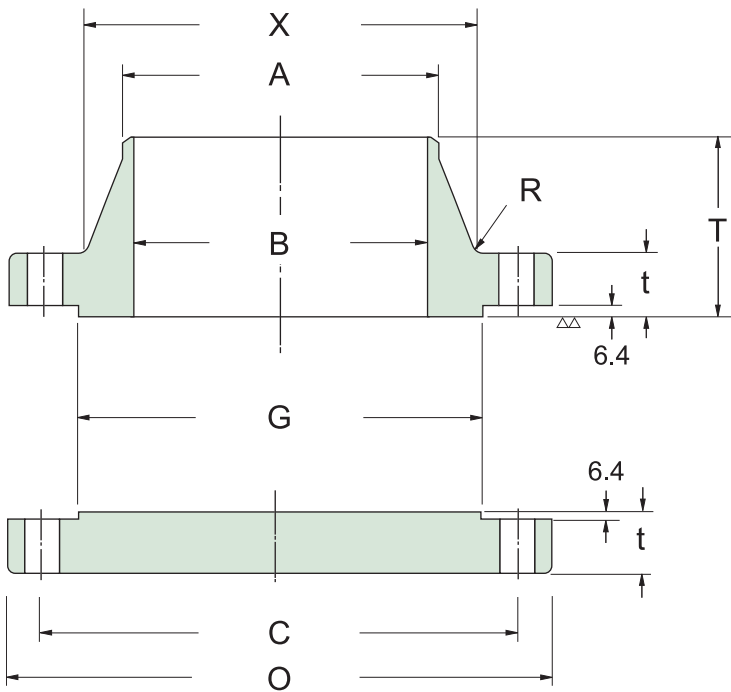
BEVEL FOR WALL THICKNESSES(t)
GREATER THAN 0.88 IN

ANSI / ASME B 16.47 SER. B (API605)

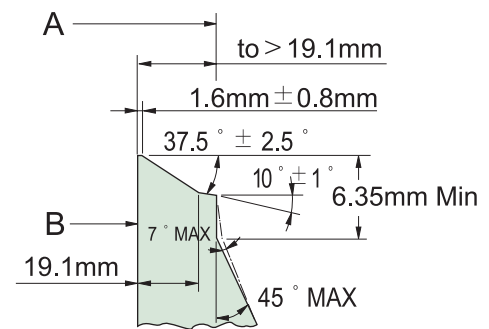
Unit:mm

Nominal Pipe Size	Outside Diam.	THICKNESS		O.D. of Raised Face	Diam. at Base of Hub	Bore	Length Through Hub	Diam. of Hub at Bevel	Radius of Fillet	DRILLING		WEIGHT(kg)		
		Weld Neck	Blind							Bolt Circle Diam.	Dia of Holes	Number of Holes	Weld Neck	Blind
	O	t	t	G	X	B	T	A	R	C				
26	762.0	33.3	33.3	704.9	676.1	To be specified by Purchaser	58.7	661.9	7.9	723.9	19.1	36	36.3	115.7
28	812.8	33.3	33.3	755.7	726.9		62.0	712.7	7.9	774.7	19.1	40	38.6	131.5
30	863.6	33.3	33.3	806.5	777.7		65.0	763.5	7.9	825.5	19.1	44	40.8	149.7
32	914.4	35.1	36.6	857.3	828.5		69.9	814.3	7.9	876.3	19.1	48	47.6	176.9
34	965.2	35.1	38.1	908.1	879.3		73.2	865.1	7.9	927.1	19.1	52	49.9	195.0
36	1033.5	36.6	42.4	965.2	935.0		85.9	915.9	9.7	992.1	22.4	40	65.8	235.0
38	1084.3	38.1	44.5	1016.0	985.8		88.9	966.7	9.7	1042.9	22.4	40	72.6	269.9
40	1135.1	38.1	44.5	1066.8	1036.6		91.9	1017.5	9.7	1093.7	22.4	44	77.1	344.7
42	1185.9	39.6	47.8	1117.6	1087.4		95.3	1068.3	9.7	1144.5	22.4	48	83.9	406.0
44	1251.0	42.9	49.3	1174.8	1140.0		104.6	1119.1	9.7	1203.5	25.4	36	104.3	483.1
46	1301.8	44.5	50.8	1225.6	1190.8		108.0	1169.9	9.7	1254.3	25.4	40	111.1	537.5
48	1352.6	46.0	53.8	1276.4	1241.6		111.3	1220.7	9.7	1305.1	25.4	44	122.5	596.5
50	1403.4	47.8	55.4	1327.2	1293.9		115.8	1271.5	9.7	1355.9	25.4	44	131.5	682.7
52	1457.5	47.8	57.2	1378.0	1344.7		120.7	1322.3	9.7	1409.7	25.4	48	140.6	755.2
54	1508.3	49.3	60.5	1428.8	1397.0		125.5	1373.1	9.7	1460.5	25.4	48	154.2	834.6
56	1574.8	50.8	62.0	1485.9	1450.8		134.9	1423.9	11.2	1521.0	28.4	40	181.4	957.1
58	1625.6	52.3	63.5	1536.7	1501.6		138.2	1474.7	11.2	1571.8	28.4	44	195.0	1043.3
60	1676.4	55.6	66.5	1587.5	1552.4		144.5	1525.5	11.2	1622.6	28.4	44	215.5	1134.0

CLASS 150 FLANGES



BEVEL FOR WALL THICKNESSES(t)
0.19IN. TO 0.88 IN. INCLUSIVE



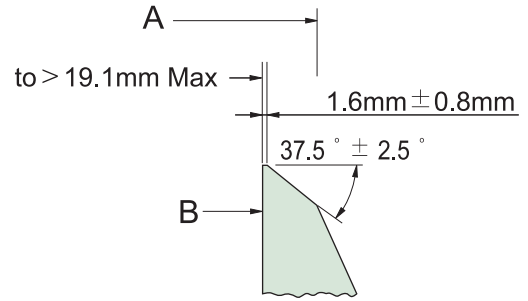
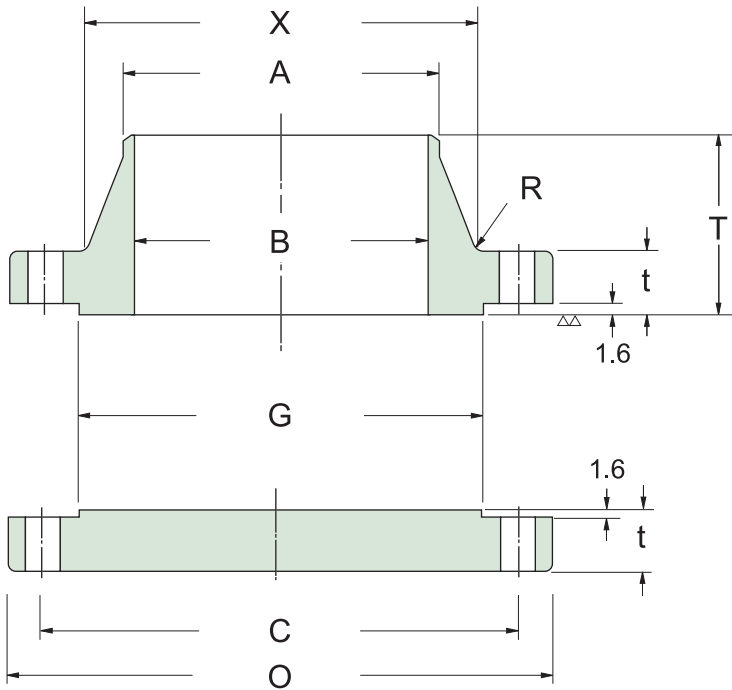
BEVEL FOR WALL THICKNESSES(t)
GREATER THAN 0.88IN

ANSI / ASME B 16.47 SER. B (API605)

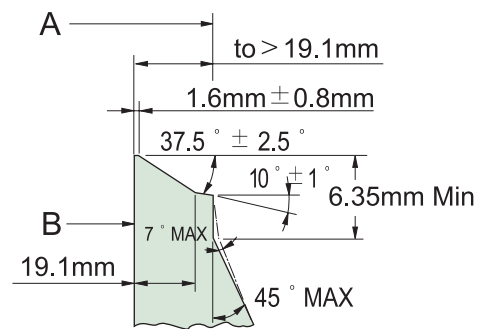
Unit:mm

Nominal Pipe Size	Outside Diam.	THICKNESS		O.D. of Raised Face	Diam. at Base of Hub	Bore	Length Through Hub	Diam. of Hub at Bevel	Radius of Fillet	DRILLING			WEIGHT(kg)	
		Weld Neck	Blind							Bolt Circle Diam.	Dia of Holes	Number of Holes	Weld Neck	Blind
		O	t											
26	785.9	41.1	44.5	711.2	684.3	To be specified by Purchaser	88.9	661.9	9.7	744.5	22.4	36	54.4	169.2
28	836.7	44.5	47.8	762.0	735.1		95.3	712.7	9.7	795.3	22.4	40	63.5	205.9
30	887.5	44.5	50.8	812.8	787.4		100.1	763.5	9.7	846.1	22.4	44	68.0	246.3
32	941.3	46.0	53.8	863.6	839.7		108.0	814.3	9.7	900.2	22.4	48	77.1	293.9
34	1004.8	49.3	57.2	920.8	892.0		110.2	865.1	9.7	957.3	25.4	40	95.3	355.2
36	1057.1	52.3	58.7	971.6	944.6		117.3	915.9	9.7	1009.7	25.4	44	108.9	403.7
38	1124.0	53.8	63.5	1022.4	997.0		124.0	968.2	9.7	1069.8	28.4	40	131.5	494.0
40	1174.8	55.6	66.5	1079.5	1049.3		128.5	1019.0	9.7	1120.6	28.4	44	140.6	565.6
42	1225.6	58.7	68.3	1130.3	1101.9		133.4	1069.8	11.2	1171.4	28.4	48	156.5	631.9
44	1276.4	60.5	71.4	1181.1	1152.7		136.7	1120.6	11.2	1222.2	28.4	52	167.8	716.2
46	1341.4	62.0	74.7	1234.9	1205.0		144.5	1171.4	11.2	1284.2	31.8	40	197.3	827.4
48	1392.2	65.0	77.7	1289.1	1257.3		149.4	1222.2	11.2	1335.0	31.8	44	217.7	927.6
50	1443.0	68.3	80.8	1339.9	1308.1		153.9	1273.0	11.2	1385.8	31.8	48	235.9	1036.0
52	1493.8	69.9	84.1	1390.7	1360.4		157.2	1323.8	11.2	1436.6	31.8	52	249.5	1155.3
54	1549.4	71.4	87.4	1441.5	1412.7		162.1	1374.6	11.2	1492.3	31.8	56	281.2	1291.9
56	1600.2	73.2	90.4	1492.3	1465.3		166.6	1425.4	14.2	1543.1	31.8	60	294.8	1426.1
58	1674.9	74.7	93.5	1543.1	1516.1		174.8	1476.2	14.2	1611.4	35.1	48	353.8	1614.8
60	1725.7	76.2	96.8	1600.2	1570.0		179.3	1527.0	14.2	1662.2	35.1	52	385.6	1774.9

CLASS 300 FLANGES



BEVEL FOR WALL THICKNESSES(t)
0.191 IN. TO 0.88 IN. INCLUSIVE



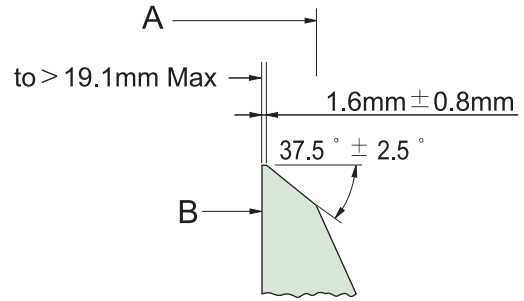
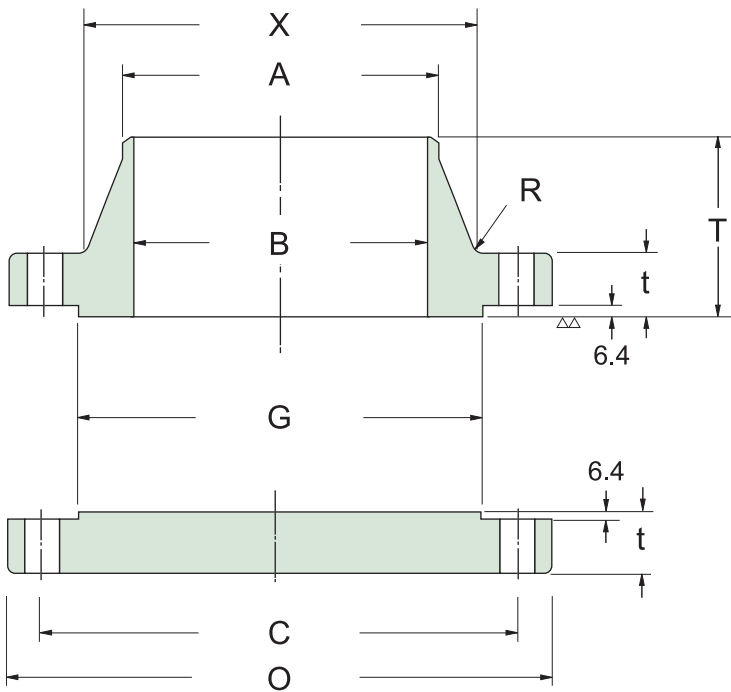
BEVEL FOR WALL THICKNESSES(t)
GREATER THAN 0.88 IN

ANSI / ASME B 16.47 SER. B (API605)

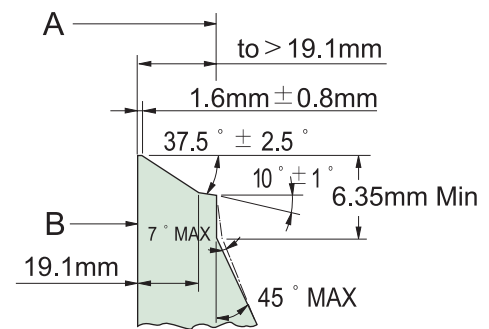
Unit:mm

Nominal Pipe Size	Outside Diam.	THICKNESS		O.D. of Raised Face	Diam. at Base of Hub	Bore	Length Through Hub	Diam. of Hub at Bevel	Radius of Fillet	DRILLING			WEIGHT(kg)	
		Weld Neck	Blind							Bolt Circle Diam.	Dia of Holes	Number of Holes	Weld Neck	Blind
		t	t											
O	t	t	G	X	B	T	A	R	C					
26	866.6	88.9	88.9	736.6	701.5	To be specified by Purchaser	144.5	665.2	14.2	803.1	35.1	32	181.4	411.4
28	920.8	88.9	88.9	787.4	755.7		149.4	716.0	14.2	857.3	35.1	36	204.1	464.0
30	990.6	93.7	93.7	844.6	812.8		158.0	768.4	14.2	920.8	38.1	36	249.5	566.5
32	1054.1	103.1	103.1	901.7	863.6		168.1	819.2	15.7	977.9	41.1	32	310.7	705.8
34	1107.9	103.1	103.1	952.5	917.4		173.0	870.0	15.7	1031.7	41.1	36	340.2	779.7
36	1171.4	103.1	103.1	1009.7	965.2		180.8	920.8	15.7	1089.2	44.5	32	381.9	871.4
38	1222.2	111.3	111.3	1060.5	1016.0		192.0	971.6	15.7	1140.0	44.5	36	415.0	1023.8
40	1273.0	115.8	115.8	1114.6	1066.8		198.4	1022.4	15.7	1190.8	44.5	40	449.1	1156.2
42	1333.5	119.1	119.1	1168.4	1117.6		204.7	1074.7	15.7	1244.6	47.8	36	514.8	1304.6
44	1384.3	127.0	127.0	1219.2	1173.2		214.4	1125.5	15.7	1295.4	47.8	40	560.2	1498.7
46	1460.5	128.5	130.0	1270.0	1228.9		222.3	1176.3	15.7	1365.3	50.8	36	666.8	1708.3
48	1511.3	128.5	134.9	1327.2	1277.9		223.8	1227.1	15.7	1416.1	50.8	40	714.4	1897.4
50	1562.1	138.2	139.7	1378.0	1330.5		235.0	1277.9	15.7	1466.9	50.8	44	775.7	2099.7
52	1612.9	142.7	144.3	1428.8	1382.8		242.8	1328.7	15.7	1517.7	50.8	48	834.6	2311.5
54	1673.4	136.7	149.4	1479.6	1435.1		239.8	1379.5	15.7	1577.8	50.8	48	898.1	2575.5
56	1765.3	153.9	157.0	1536.7	1493.8		268.2	1430.3	17.5	1651.0	60.5	36	1177.1	3012.8
58	1827.3	153.9	162.1	1593.9	1547.9		274.6	1481.1	17.5	1713.0	60.5	40	1256.6	3332.6
60	1878.1	150.9	166.6	1651.0	1598.7		271.5	1531.9	17.5	1763.8	60.5	40	1301.8	3619.7

CLASS 400 FLANGES



BEVEL FOR WALL THICKNESSES(t)
0.191 IN. TO 0.88 IN. INCLUSIVE



BEVEL FOR WALL THICKNESSES(t)
GREATER THAN 0.88IN

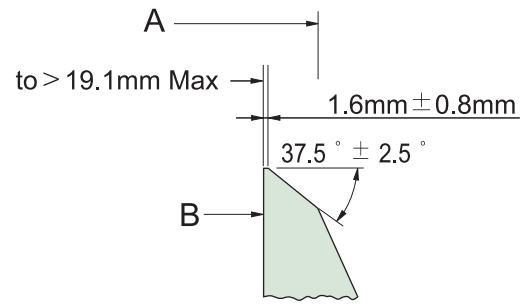
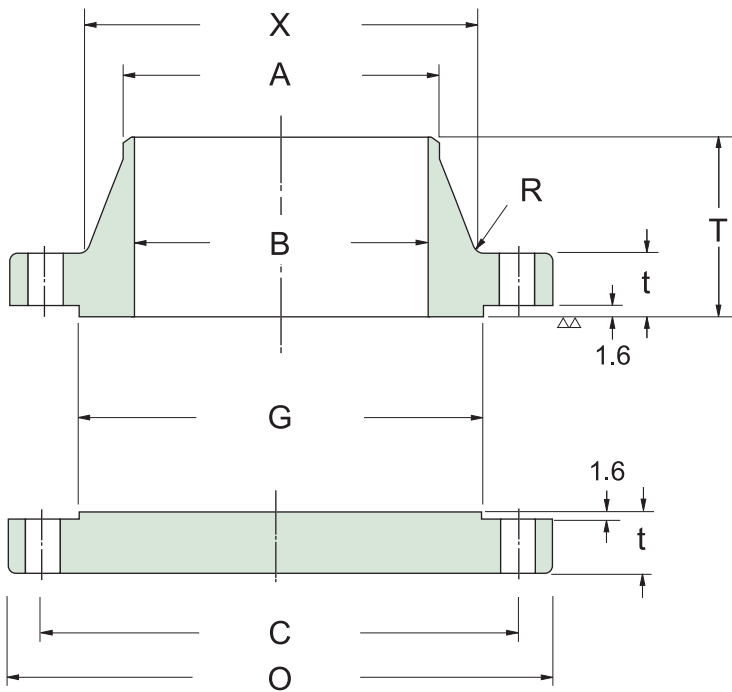
ANSI / ASME B 16.47 SER. B (API605)

Unit:mm

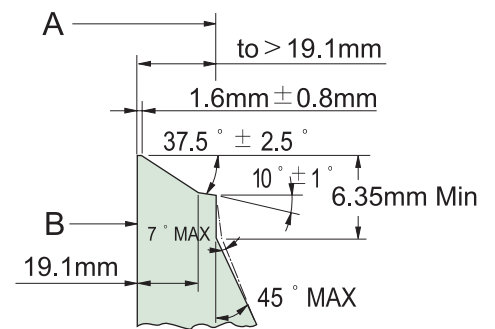
Nominal Pipe Size	Outside Diam.	THICKNESS		O.D. of Raised Face	Diam. at Base of Hub	Bore	Length Through Hub	Diam. of Hub at Bevel	Radius of Fillet	DRILLING			WEIGHT(kg)	
		Weld Neck	Blind							Bolt Circle Diam.	Dia of Holes	Number of Holes	Weld Neck	Blind
		O	t											
26	850.9	95.3	95.3	711.2	688.8	To be specified by Purchaser	155.8	660.4	11.2	781.1	38.1	28	163.3	396.4
28	914.4	101.7	101.7	762.0	739.6		165.2	711.2	12.7	838.2	41.1	24	204.1	490.3
30	971.6	108.0	108.0	819.2	793.8		176.3	762.0	12.7	895.4	41.1	28	240.4	590.6
32	1035.1	114.4	114.4	873.3	844.6		185.7	812.8	12.7	952.5	44.5	28	288.0	712.2
34	1085.9	117.7	117.7	927.1	898.7		193.9	863.6	14.2	1003.3	44.5	32	313.0	807.9
36	1155.7	125.5	125.5	980.9	952.5		206.6	914.4	14.2	1066.8	47.8	28	387.8	979.8
38	1206.5	130.4	130.4	1035.1	1003.3		212.6	965.2	14.2	1117.6	47.8	32	424.1	1111.3
40	1270.0	136.4	136.4	1092.2	1054.1		222.3	1016.0	14.2	1174.8	50.8	32	494.4	1291.9
42	1320.8	139.8	139.8	1143.0	1107.9		230.2	1066.8	14.2	1225.6	50.8	32	539.8	1432.9
44	1384.3	146.1	146.1	1200.2	1158.7		239.6	1117.6	14.2	1282.7	53.8	32	623.7	1648.8
46	1441.5	152.5	152.5	1257.3	1212.9		250.7	1168.4	14.2	1339.9	53.8	36	691.7	1868.8
48	1511.3	158.8	158.8	1308.1	1267.0		263.4	1219.2	14.2	1403.4	60.5	28	811.9	2143.7
50	1568.5	163.6	165.2	1361.9	1320.8		274.6	1270.0	14.2	1460.5	60.5	32	884.5	2405.4
52	1619.3	168.5	170.0	1412.7	1371.6		282.8	1320.8	14.2	1511.3	60.5	32	963.9	2641.3
54	1701.8	176.3	177.9	1470.2	1425.4		295.5	1371.6	14.2	1581.2	66.5	28	1163.5	3058.2
56	1752.6	181.2	182.7	1527.0	1479.6		304.9	1422.4	14.2	1632.0	66.5	32	1229.3	3334.9
58	1803.4	184.2	187.2	1577.8	1530.4		312.7	1473.2	14.2	1682.8	66.5	32	1465.1	3622.4
60	1886.0	192.1	195.4	1635.3	1584.5		325.4	1524.0	14.2	1752.6	73.2	32	1732.8	4139.6

Notes : (1) Dimensions of size over 36" are not covered in ASME B 16.47 Series. B. but manufacture's option.
(above dimensions are equal to ASME B 16.47 Series A)

CLASS 600 FLANGES



BEVEL FOR WALL THICKNESSES(t)
0.191 IN. TO 0.88 IN. INCLUSIVE



BEVEL FOR WALL THICKNESSES(t)
GREATER THAN 0.88 IN

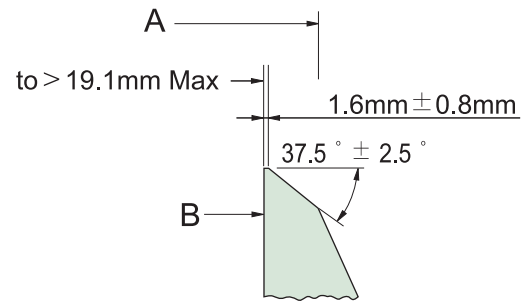
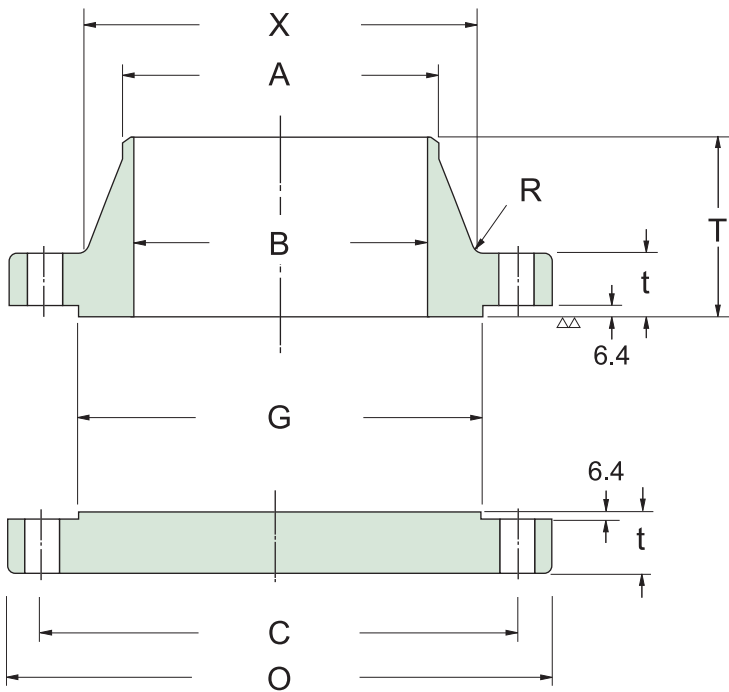
ANSI / ASME B 16.47 SER. B (API605)

Unit:mm

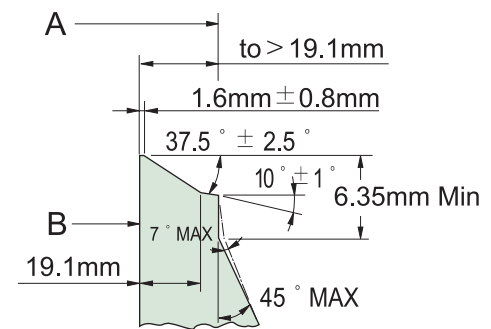
Nominal Pipe Size	Outside Diam.	THICKNESS		O.D. of Raised Face	Diam. at Base of Hub	Bore	Length Through Hub	Diam. of Hub at Bevel	Radius of Fillet	DRILLING			WEIGHT(kg)	
		Weld Neck	Blind							Bolt Circle Diam.	Dia of Holes	Number of Holes	Weld Neck	Blind
		t	t											
O	t	t	G	X	B	T	A	R	C					
26	889.0	117.7	117.7	726.9	698.5	To be specified by Purchaser	187.2	660.4	12.7	806.5	44.5	28	249.5	541.6
28	952.5	122.2	122.2	784.4	752.3		196.9	711.2	12.7	863.6	47.8	28	294.8	647.3
30	1022.4	131.9	133.4	841.2	806.5		211.1	762.0	12.7	927.1	50.8	28	367.4	817.4
32	1085.9	136.4	141.3	895.4	860.6		222.3	812.8	12.7	984.3	53.8	28	430.9	979.3
34	1162.1	147.6	150.7	952.5	914.4		239.8	863.6	14.2	1054.1	60.5	24	546.6	1199.8
36	1212.9	152.5	157.3	1009.7	968.2		249.2	914.4	14.2	1104.9	60.5	28	607.8	1366.7
38	1270.0	158.8	161.8	1054.1	1022.4		260.4	965.2	14.2	1162.1	60.5	28	666.8	1544.1
40	1320.8	165.2	168.5	1111.3	1073.2		270.1	1016.0	14.2	1212.9	60.5	32	739.4	1740.9
42	1403.4	174.5	177.9	1168.4	1127.3		285.8	1066.8	14.2	1282.7	66.5	28	920.8	2079.8
44	1454.2	179.4	184.2	1225.6	1181.1		295.5	1117.6	14.2	1333.5	66.5	32	979.8	2315.6
46	1511.3	185.7	192.1	1276.4	1234.9		306.4	1168.4	14.2	1390.7	66.5	32	1093.2	2611.8
48	1593.9	195.4	201.7	1333.5	1289.1		322.4	1219.2	14.2	1460.5	73.2	32	1295.0	3055.9
50	1670.1	203.3	209.6	1384.3	1343.2		335.1	1270.0	14.2	1524.0	79.2	28	1510.5	3490.5
52	1720.9	209.6	216.0	1435.1	1394.0		343.0	1320.8	14.2	1574.8	79.2	32	1614.8	3822.0
54	1778.0	216.0	223.8	1492.3	1447.8		355.7	1371.6	14.2	1632.0	79.2	32	1778.1	4233.4
56	1854.2	223.8	232.0	1543.1	1501.6		368.4	1422.4	15.7	1695.5	85.9	32	1941.4	4776.0
58	1905.0	228.7	238.0	1600.2	1552.4		376.2	1473.2	15.7	1746.3	85.9	32	2104.7	5177.4
60	1993.9	239.8	249.2	1657.4	1609.9		395.3	1524.0	17.5	1822.5	91.9	28	2268.0	5945.8

Notes : (1) Dimensions of size over 36" are not covered in ASME B 16.47 Series. B. but manufacture's option.
(above dimensions are equal to ASME B 16.47 Series A)

CLASS 900 FLANGES



BEVEL FOR WALL THICKNESSES(t)
0.191 IN. TO 0.88 IN. INCLUSIVE



BEVEL FOR WALL THICKNESSES(t)
GREATER THAN 0.88IN

ANSI / ASME B 16.47 SER. B (API605)

Unit:mm

Nominal Pipe Size	Outside Diam.	THICKNESS		O.D. of Raised Face	Diam. at Base of Hub	Bore	Length Through Hub	Diam. of Hub at Bevel	Radius of Fillet	DRILLING			WEIGHT(kg)	
		Weld Neck	Blind							Bolt Circle Diam.	Dia of Holes	Number of Holes	Weld Neck	Blind
		O	t											
26	1022.4	141.3	160.3	762.0	743.0	To be specified by Purchaser	265.2	660.4	11.2	901.7	66.5	20	476.3	990.7
28	1104.9	154.0	173.0	819.2	797.1		282.8	711.2	12.7	971.6	73.2	20	689.5	1252.8
30	1181.1	161.8	182.4	876.3	850.9		295.5	762.0	12.7	1035.1	79.2	20	825.6	1512.3
32	1238.3	166.7	192.1	927.1	908.1		309.7	812.8	12.7	1092.2	79.2	20	936.7	1753.2
34	1314.5	177.9	201.5	990.6	962.2		325.4	863.6	14.2	1155.7	85.9	20	1111.3	2075.7
36	1346.2	179.4	208.1	1028.7	1016.0		331.8	914.4	14.2	1200.2	79.2	24	1143.1	2251.2
38	1460.5	196.9	222.3	1098.6	1073.2		359.0	965.2	19.1	1289.1	91.9	20	1535.4	2836.4
40	1511.3	203.3	230.2	1162.1	1127.3		369.9	1016.0	20.6	1339.9	91.9	24	1642.0	3148.0
42	1562.1	212.6	238.0	1212.9	1176.3		377.7	1066.8	20.6	1390.7	91.9	24	1796.3	3481.4
44	1648.0	220.8	249.2	1270.0	1234.9		397.1	1117.6	22.4	1463.5	98.6	24	1950.5	4061.5
46	1733.6	232.0	261.9	1333.5	1292.4		417.4	1168.4	22.4	1536.7	104.6	24	2104.7	4729.2
48	1784.4	239.8	270.1	1384.3	1343.2		425.5	1219.2	23.9	1587.5	104.6	24	2258.9	5170.1

Notes : (1) Dimensions of size over 36" are not covered in ASME B 16.47 Series. B. but manufacture's option.
(above dimensions are equal to ASME B 16.47 Series A)